

Ultra-BrightLite™ Series – Type L30

Ultra-BrightLite™ – Type L30 is an innovative LED lamp that integrates with high power LED, smart electronics, hard optical lens and aluminium metallic housing – all in one package. The LED technology effectively contributes energy saving up to 50% or more.



Patent Pending

Product Description

- “Screw and Lock” design concept for ease in maintenance
- High Energy Efficiency
- High Thermal Efficiency – Aluminium Metallic housing
- An innovative design that dissipate heat in 3-dimensionally (x, y and z)
- Hard optical lens, enhance mechanical protection
- Built-in precision DC-DC power supply source
- Time to Market (TTM) is shorter

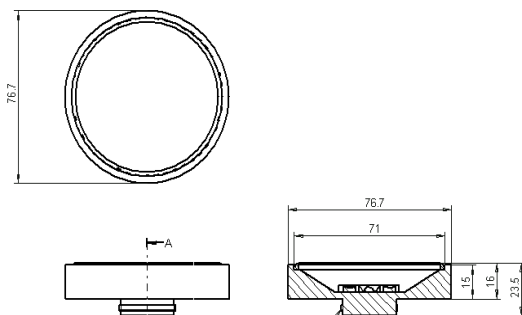
Applications

- Street Lighting Lamp Posts
- Solar Lighting
- Stage spots Lighting
- Garden Lighting

Order Information & Specification:

	Daylight White	Warm White	Red	Green	Blue
Part Number	70LL300100	70LL300200	70LL300300	70LL300400	70LL300500
Part Description	FG, LAMP LL3001 32W 1070LM DW 120D 24V	FG, LAMP LL3002 32W 665LM WW 120D 24V	FG, LAMP LL3003 10W 383LM RED 120D 24V	FG, LAMP LL3004 16W 395LM GRN 120D 24V	FG, LAMP LL3005 16W 104LM BLUE 120D 24V
Model No.	LL3001	LL3002	LL3003	LL3004	LL3005
Power (LEDs)	<32W	<32W	<10W	<16W	<16W
Input Voltage/Current	24Vdc/1.3A typ				
Optical Lens	120/60 degree available				
Lumen	Approx 1070 lm	Approx 665 lm	Approx 383 lm	Approx 395 lm	Approx 104 lm
CRI	68	78	NA		
CCT	6200K	3550K	NA		
Lm / W	Approx 33 lm / W	Approx 21 lm / W	Approx 38 lm / W	Approx 26 lm / W	Approx 7 lm / W

Product Dimension :



Application Drawing:

